



TPM_034 - Recover Power Cable + (CP, PP,
ferrite mod) Aloha Gravity

First revision – 15/07/2024

Revision history

Inersión	Author	Date	Modifications
1.0	Javier Castaño	15/07/2024	Initial document

1. General

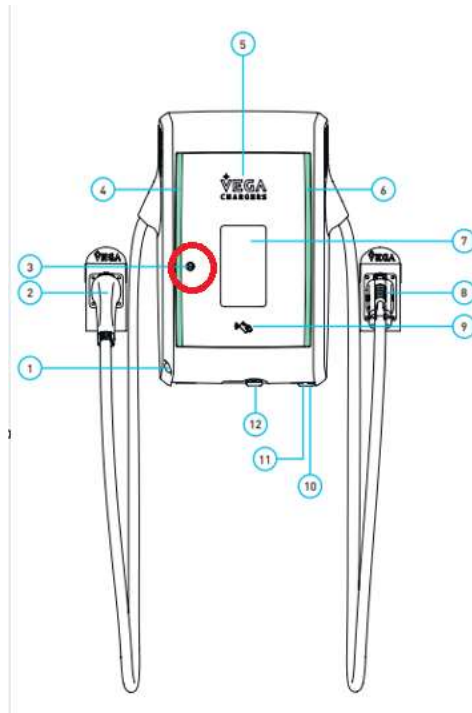
This guide explains the process get more power cable and ferrite + CP + PP wires mod in Aloha Gravity.

2. Material required

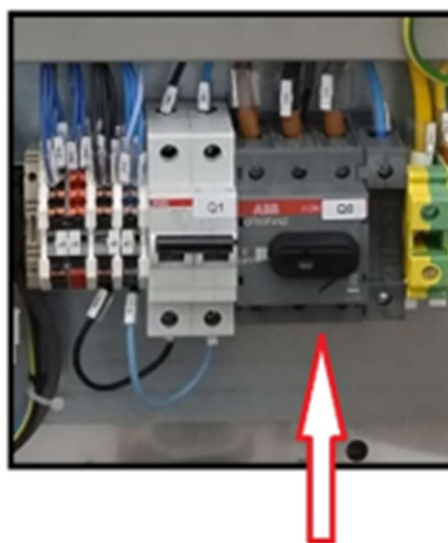
- Charger Key
- Channellok Pliers
- Flat Screwdriver 5.5 mm IS, VDE 1000V
- Allen Screwdriver 4mm
- Torx Screwdriver 6mm
- Small flat Screwdriver
- Socket spanner Screwdriver 5mm
- 1 x Ferrite.
- Isolation tape.
- Electrician's scissors.

3. Preparation

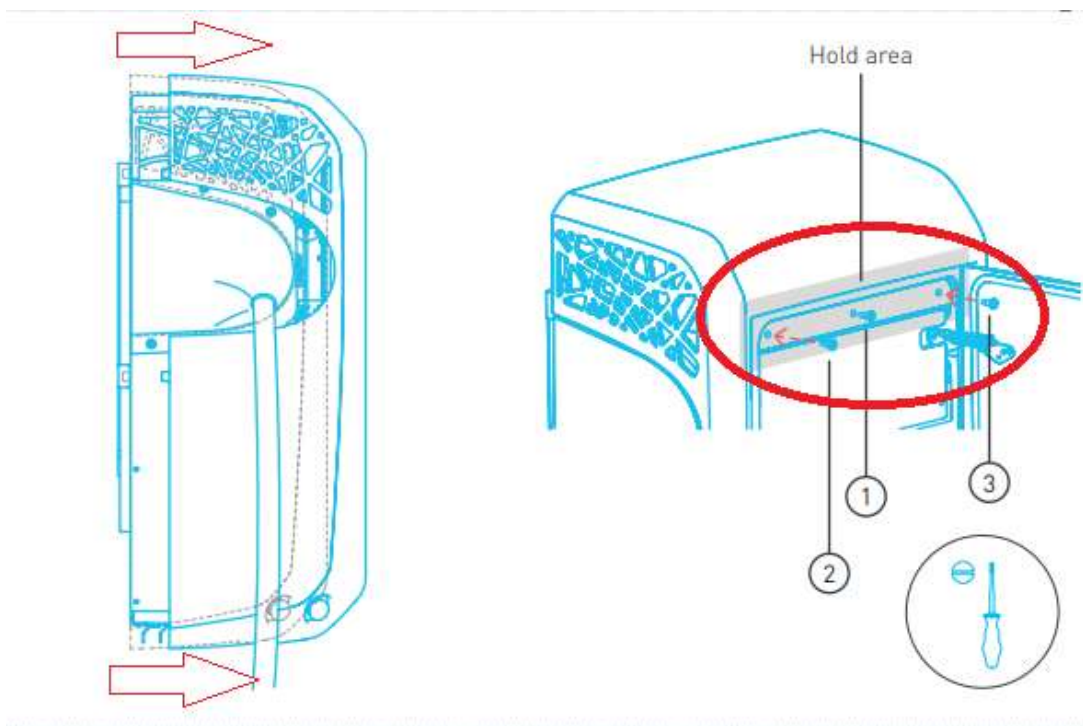
1.- Open the door (red circle) with the provided key to access to the charger inner part.



2.- Turn off Main Switch Q0.

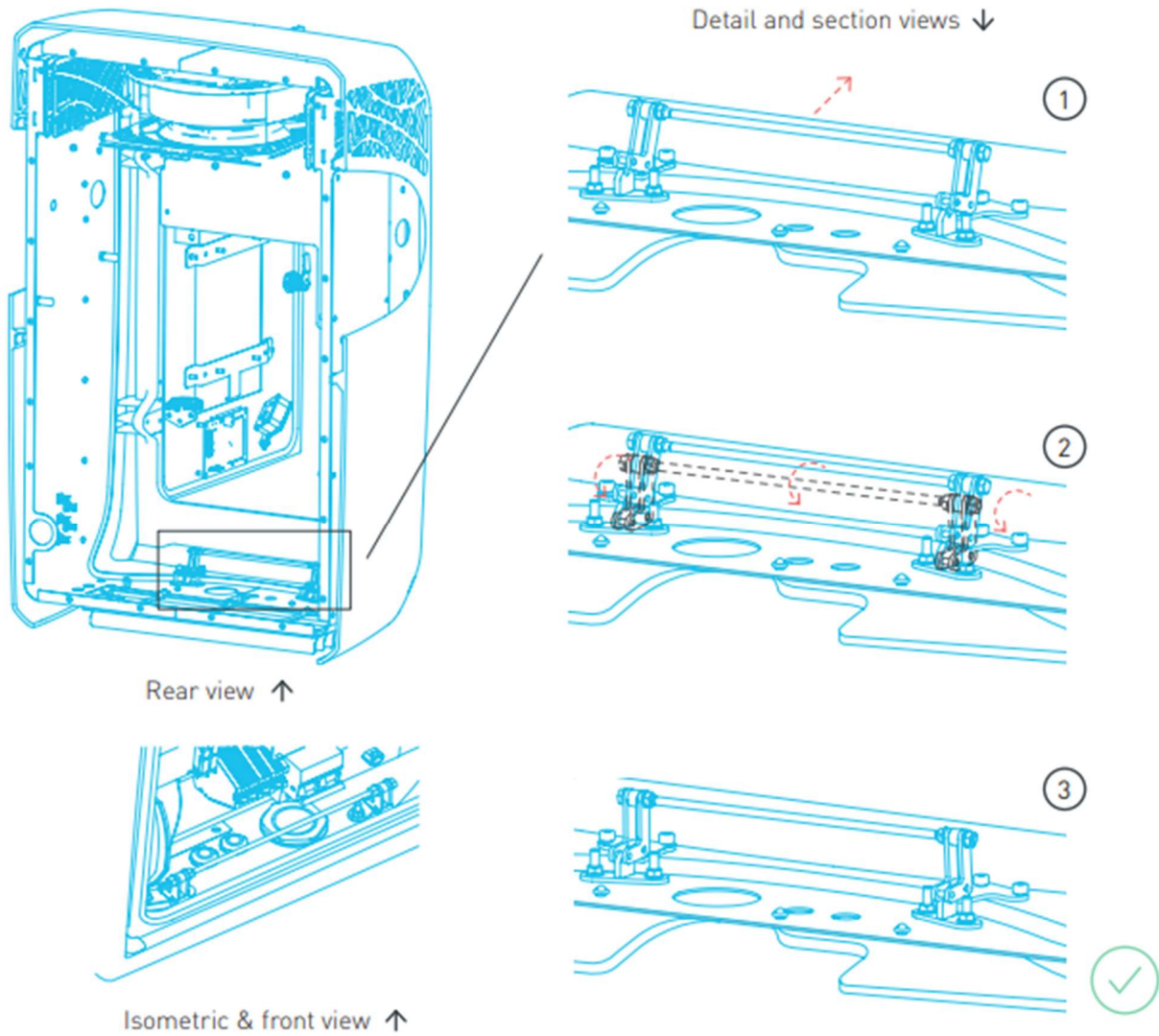


3.- Unscrew and remove both side holding screws, left a little bit unscrewed the screw in the middle. Doing by this way we'll avoid the pur could get down accidentally.

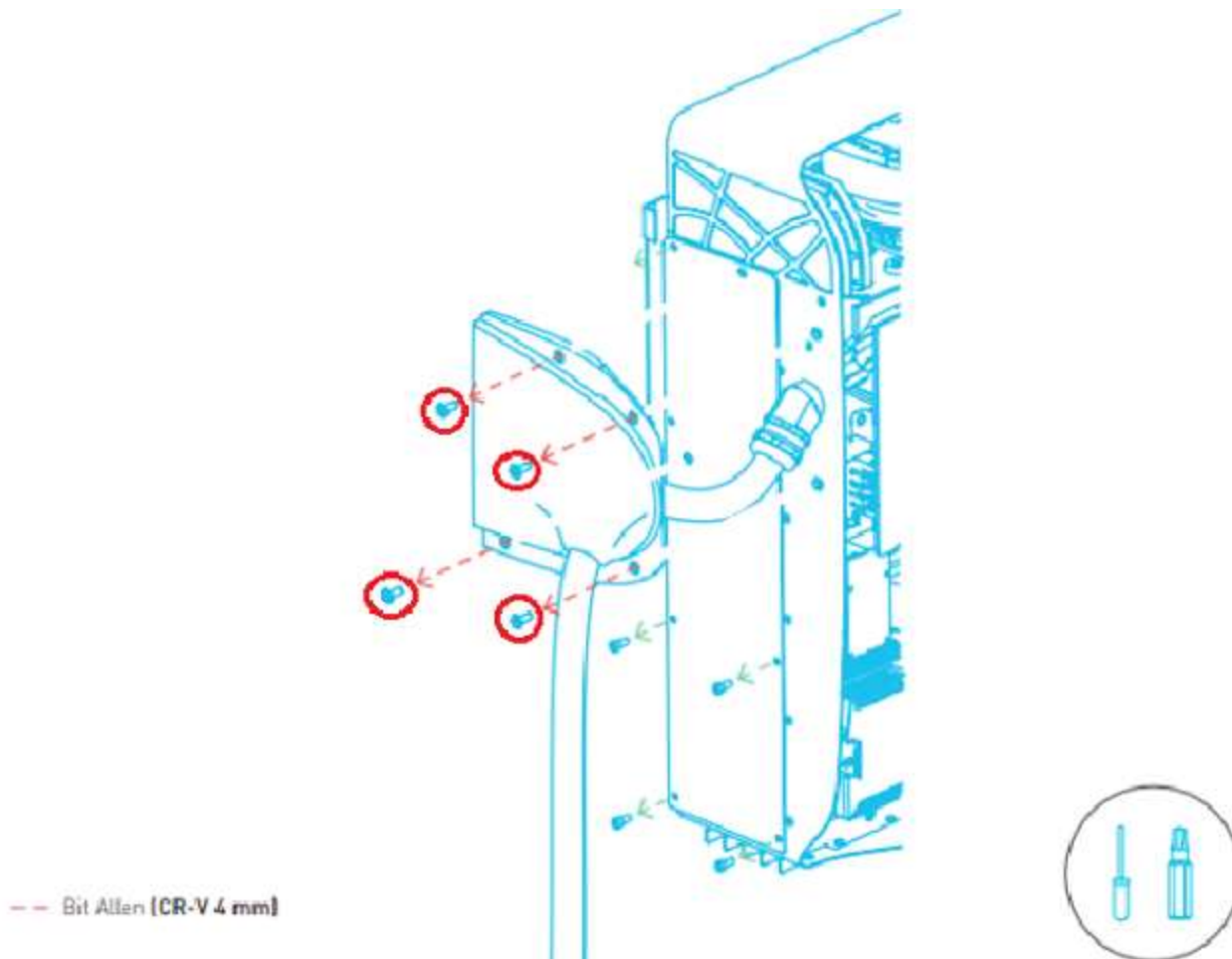


-  Slotted Standard Screwdriver **5,5 mm IS, VDE 1000V**
-  **3 x Screws slotted flat head (DIN923 M5 x 8 mm)**

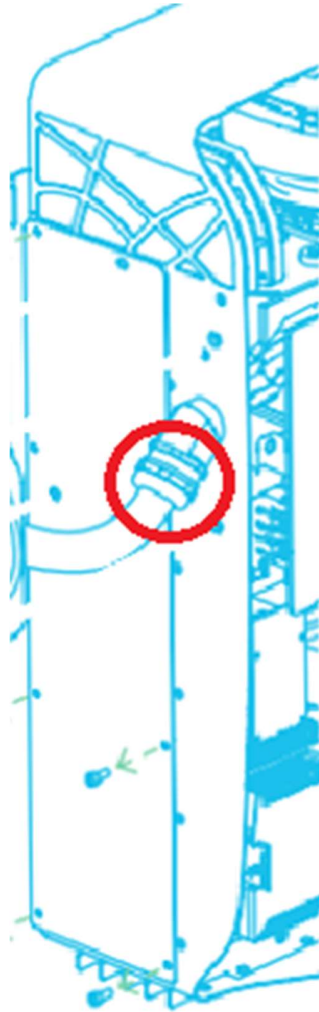
4.- Push the handle bar in order to release lower side. Move a little bit the pur in order to be sure that (lower side) is well released. Then remove the last (middle) screw from point 2.



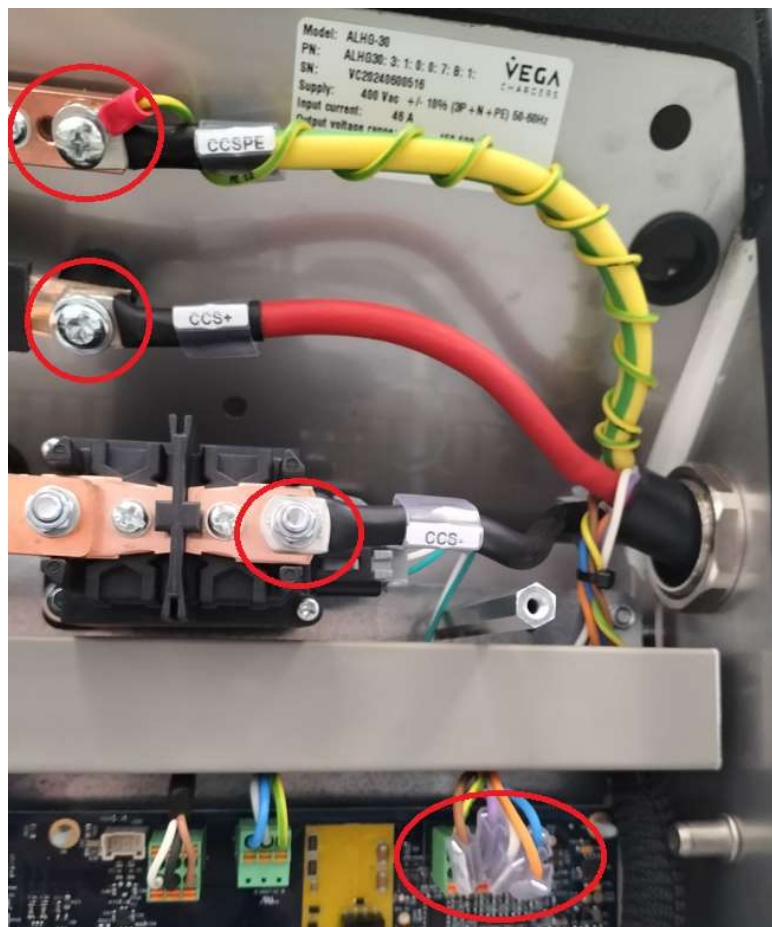
5- Remove the four screws whose hold the ear marked in red



6.- Release connector (marked in red) with a Channellok Pliers.



7.- Open the grey gutter and release CCS+ (Red), CCS- (black), CCSPE (green/yellow) wires. Locate connector J27 in the upper right part of the control PCA (Mercury (A8) and disconnect the CP cable (Brown), Lane cable (Yellow/green) and PP cable (Grey). Remove them using a small screwdriver by pressing on the small orange tab.



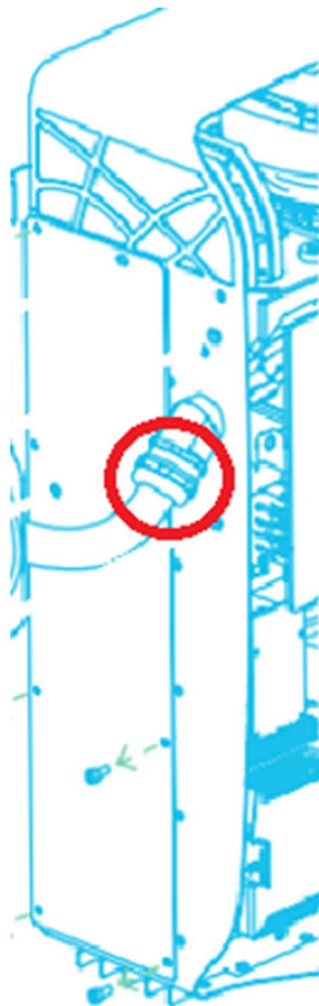
Detail of J27:



8.- In this step you should have free all the wires of power cable, then release J27 connector (located at Mercury board) and take out the cable from the outside (carefully).

9.- Cut the isolator (black) in order to get more length to wires. This step will be necessary to do the ferrite mod. Usually with 15 cms is enough.

10.- Insert cable again, ensuring that their length is enough and tight the external main wire connector.



11.- Do these modifications on wires:

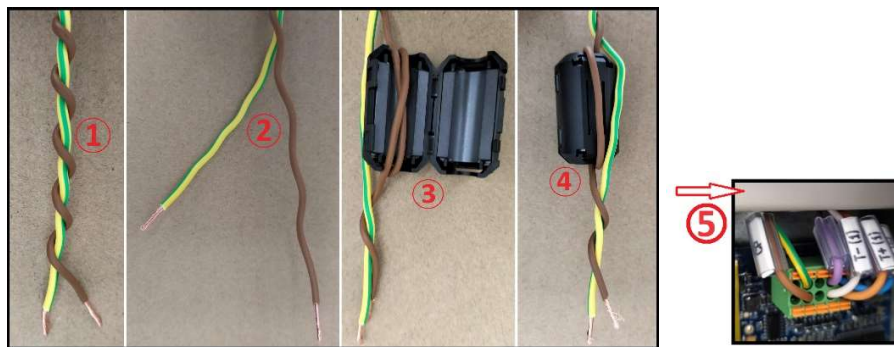
11.1- The CP & Lane cable must be twisted as below picture.

11.2- Untwist a part the CP cable with the land cable.

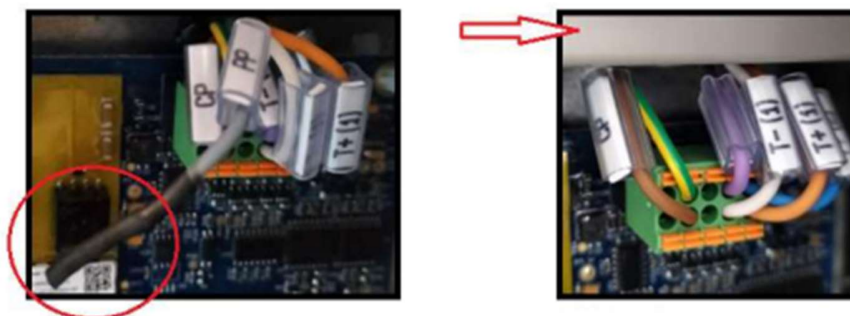
11.3- Add the ferrite. If you have enough CP cable, create a loop in the ferrite.

11.4- Close the ferrite and twist CP & Lane cable again.

11.5- This ferrite you will have to hide inside the slotted cable trunking.



12.- Protect the end of the PP cable with electrical insulating tape or heat shrink and keep it inside the slotted cable trunking.



13.- Close the slotted cable trunking and tight external main wire connector.

14.- Repeat steps 7 to 1 in reverse order.